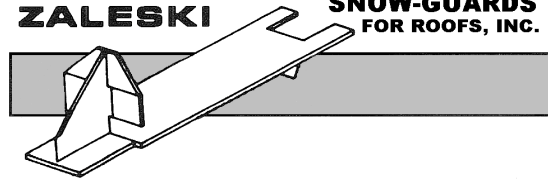


ZALESKI

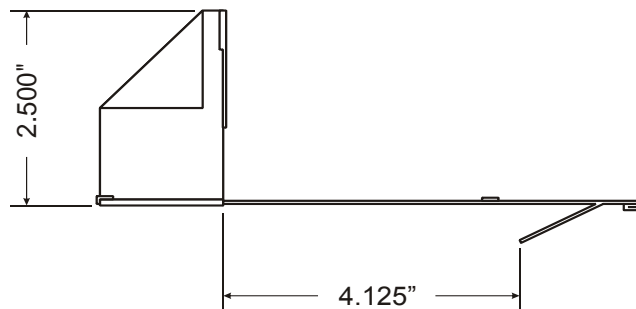
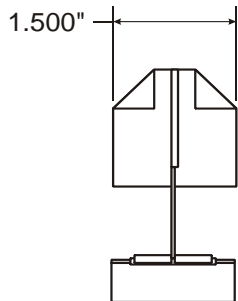
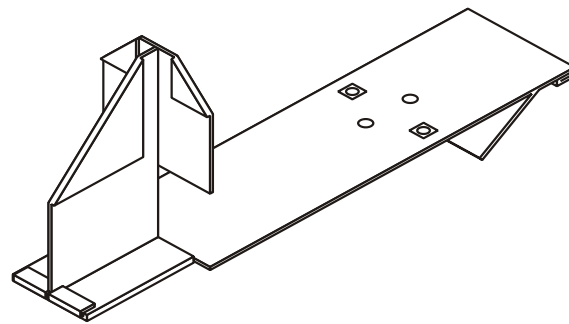
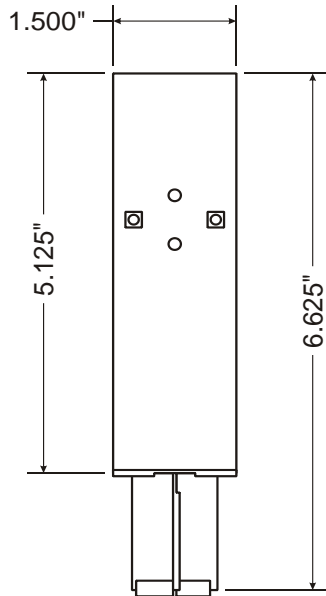
**SNOW-GUARDS
FOR ROOFS, INC.**

*Manufacturers of Snow-Guards
Since 1950*



Post Office Box 700 06050-0700 ~ 100 Production Court New Britain, CT 06051
telephone 860--225-1614 fax 860--225-1060 e-mail info@snowguards.com
www.snowguards.com

Zaleski Model #8 Snow-Guard (Stainless Steel)



MATERIAL: Our model No.-8 Snow-Guard is manufactured using .020 thickness of stainless steel. Since it is double thick the result is $.020 \times 2 = .040$.

TYPE OF ROOF: Slate, Asphalt, Wood-Shingle, Tile

FASTENING: An integral engagement feature of the Snow-Guard hooks over the head edge of slate or tile without nailing. Snow-Guards on asphalt and wood shingles require nailing.