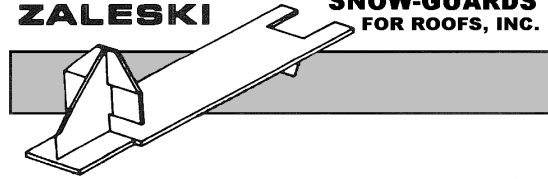
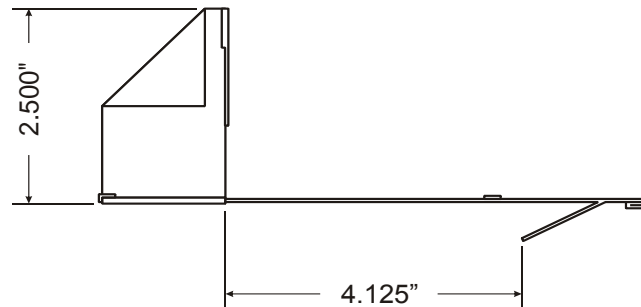
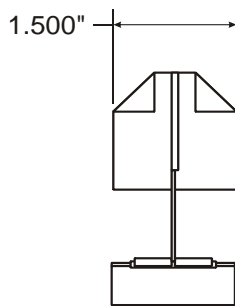
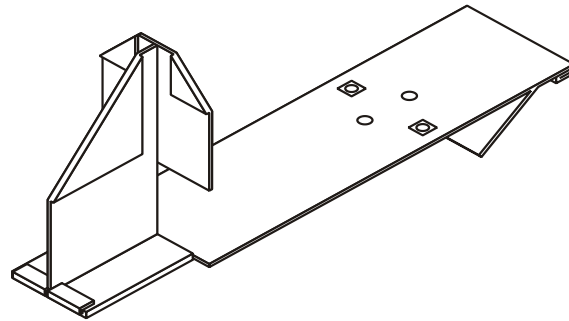
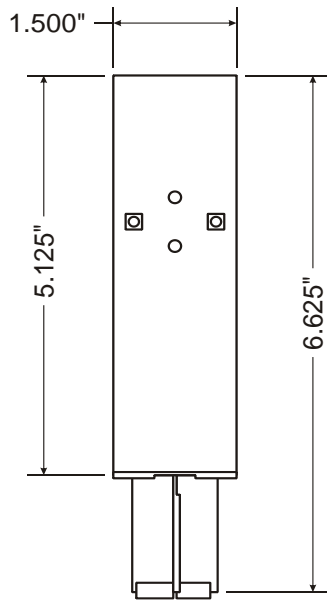


**ZALESKI****SNOW-GUARDS  
FOR ROOFS, INC.***Manufacturers of Snow-Guards  
Since 1950*

Post Office Box 700 06050-0700 ~ 100 Production Court New Britain, CT 06051  
 telephone 860--225-1614 fax 860--225-1060 e-mail info@snowguards.com  
 www.snowguards.com

## Zaleski Model #6 Snow-Guard(Aluminum)



**MATERIAL:** Our model No.-6 Snow-Guard is manufactured using .020 thickness of Aluminum 5052-H32. Since it is double thick the result is  $.020 \times 2 = .040$ . Purposed for light duty. Use the model #8 Stainless Steel for heavier snow loads.

**TYPE OF ROOF:** Slate, Asphalt, Wood-Shingle, Tile

**FASTENING:** An integral engagement feature of the Snow-Guard hooks over the head edge of slate or tile without nailing. Snow-Guards on asphalt and wood shingles require nailing.