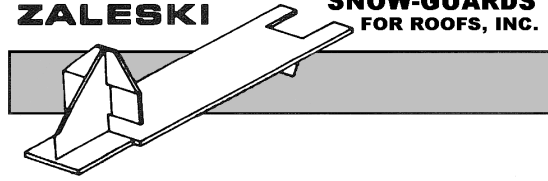
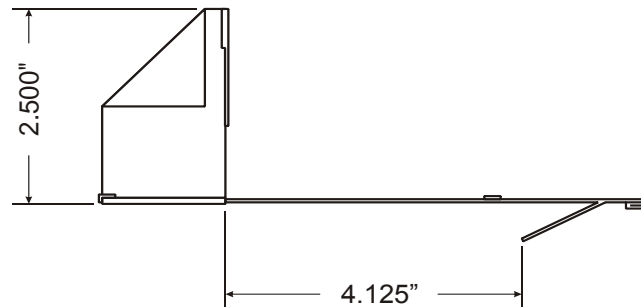
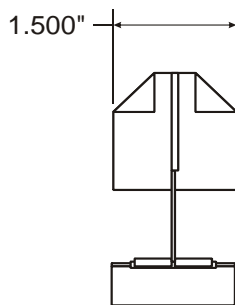
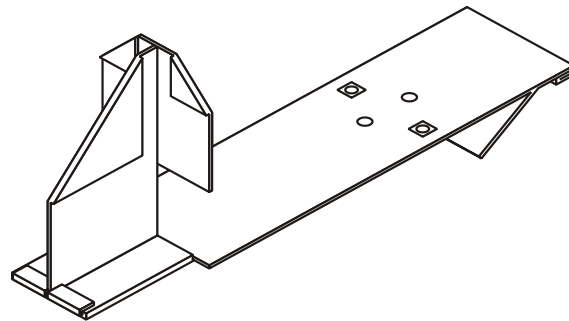
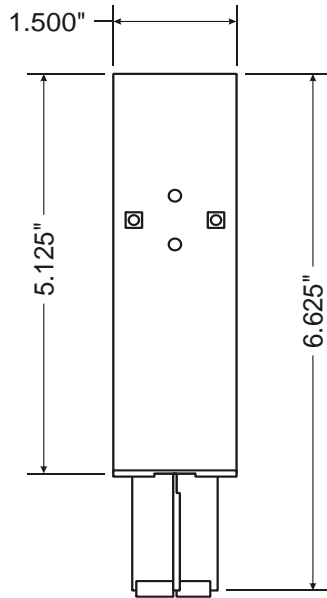


ZALESKI**SNOW-GUARDS
FOR ROOFS, INC.***Manufacturers of Snow-Guards
Since 1950*

Post Office Box 700 06050-0700 ~ 100 Production Court New Britain, CT 06051
 telephone 860--225-1614 fax 860--225-1060 info@snowguards.com
 www.snowguards.com

Zaleski Model #13 Snow-Guard (Freedom Gray)



MATERIAL: Our model No.-13 Snow-Guard is manufactured using Freedom Gray copper coated with 50% tin and 50% zinc using .020 thickness double thick. Result is $.020 \times 2 = .040$

TYPE OF ROOF: Slate, Asphalt, Wood-Shingle, Tile

FASTENING: An integral engagement feature of the Snow-Guard hooks over the head edge of slate or tile without nailing. Snow-Guards on asphalt and wood shingles require nailing.